

OUTPUT**Frequency**

100 MHz

Level

+13 dBm ±2 dB into 50 ohms

STABILITY**Aging**1 x 10⁻⁶ per year

after 30 days operating, typical

Phase Noise L(f)

100 Hz -130 dBc/Hz

1 kHz -155 dBc/Hz

10 kHz -165 dBc/Hz

20 kHz -167 dBc/Hz

Temperature Stability±1 x 10⁻⁷, 0° to +50°C (Ref +25°C)**MECHANICAL****Dimensions**

2 x 2 x 0.75"

Connectors

SMA and feedthru capacitor

Packaging

Sealed steel can

POWER REQUIREMENTS**Warm-Up Power**

<5 Watts for 5 minutes

Total Power

<2.7 Watts at +25°C

Supply Voltage

+15 VDC

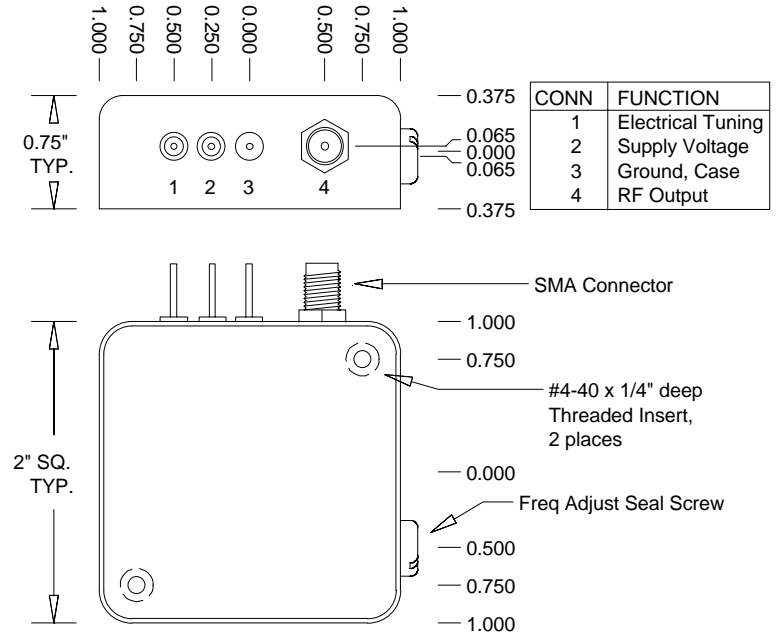
ADJUSTMENT**Mechanical Tuning**±4 x 10⁻⁶**Electrical Tuning**±5 x 10⁻⁷, ±5 VDC

Negative slope

CRYSTAL**Type**

100 MHz SC-cut

REV	DATE	REVISION RECORD	DWN	AUTH
-	09-21-95	Draft	BH	
A	10-03-96	Packaging	BH	
B	04-29-98	Aging	KW	GP
C	10-25-99	Temperature Stability	BH	
D	08-30-00	Revise Drawing	KP	KW



Connector numbers are for reference only,
they are not marked on unit.



Wenzel Associates, Inc.

Austin, Texas

Title:

Premium 100 MHz-SC Sprinter Crystal Oscillator

P/N: 501-04517	Rev: D	Date: 08-30-00	Drawn:	Ref:
Tolerances: (except as noted) Dimensions are in inches		0.XX Dec: ±0.030"	0.XXX Dec: ±0.010"	FSCM: 62821

Page 1 of 1